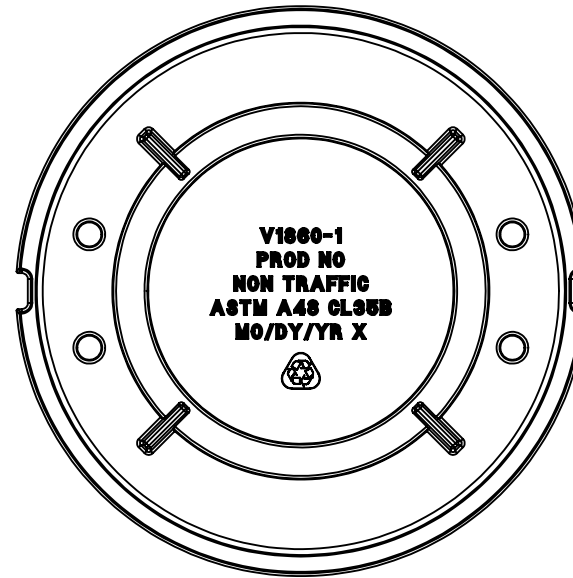
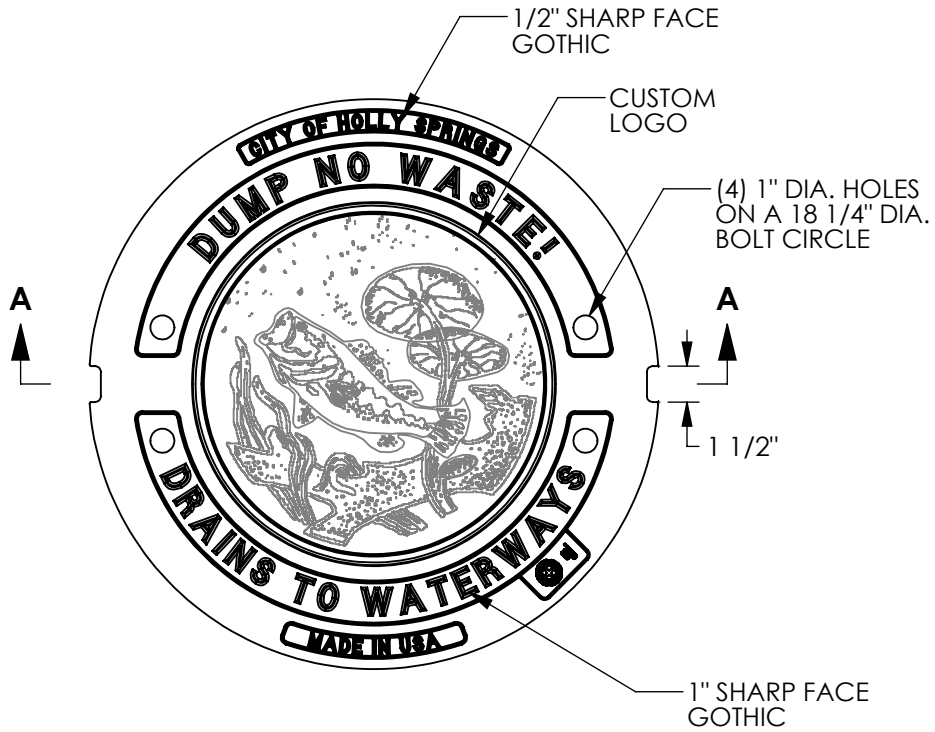
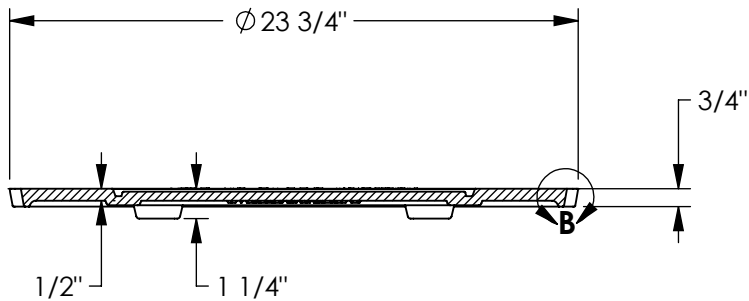


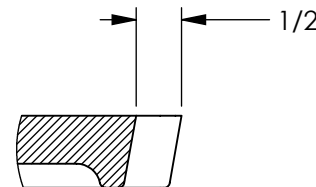
V1860-1 Cover



BOTTOM VIEW



SECTION A-A



**DETAIL B
SCALE 1 : 2**

Product Number
NPR21-001907-28069

- Design Features**
- Materials
Gray Iron (CL35B)
 - Load Rating
Non-Traffic
 - Open Area
n/a
 - Coating
Undipped
 - √ Designates Machined Surface

- Certification**
- ASTM A48
 -
 - Country of Origin: USA

Drawing Revision
4/29/2021 Designer: MAH
Revised By:

Disclaimer
Weights (lbs/kg), dimensions (inches/mm) and drawings provided for your guidance. We reserve the right to modify specifications without prior notice.

CONFIDENTIAL: This drawing is the property of EJ Group, Inc. and embodies confidential information, registered marks, patents, trade secret information, and/or know how that is the property of EJ Group, Inc. Copyright © 2018 EJ Group, Inc. All rights reserved.

Contact
800 626 4653
ejco.com