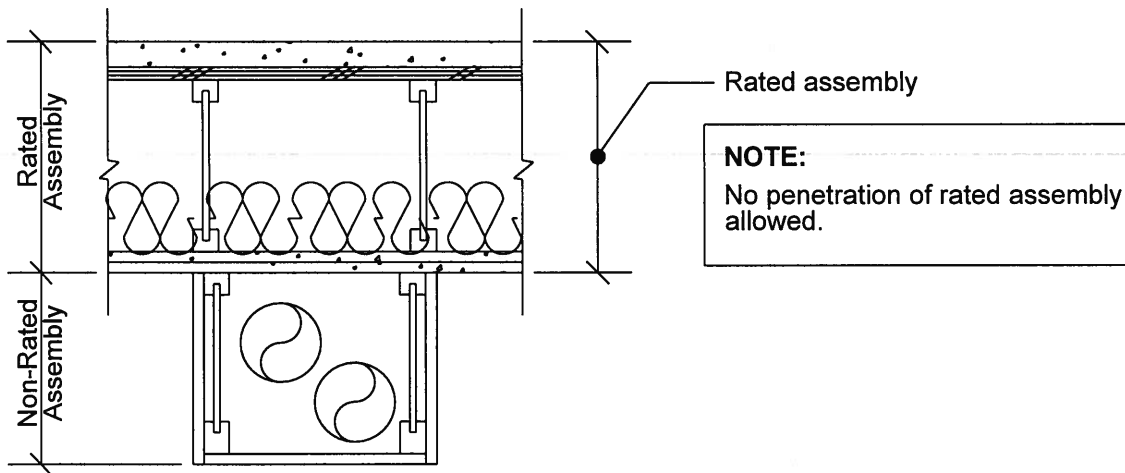
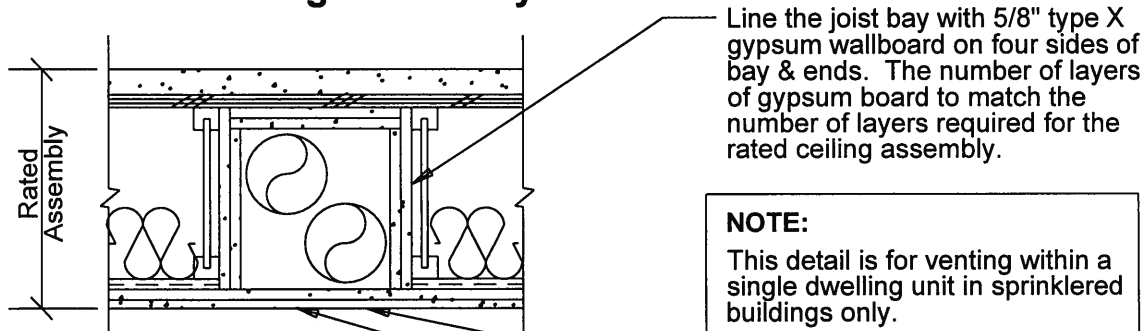


2012 Codes

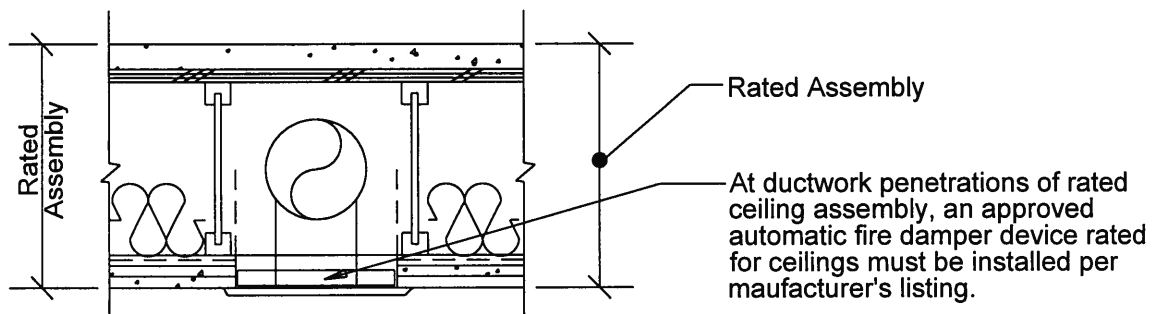
Duct Below Rated Assembly



Duct Through Joist Bay



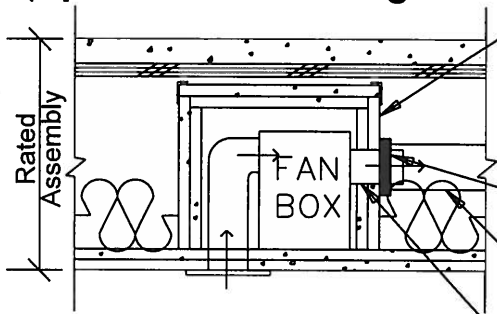
Fire Dampers



GENERAL INFORMATION:

- The intent of this tip sheet is to address the requirements of horizontal venting only in residential structures. For specific questions not addressed here or requiring further clarification, please contact your local building department.
- Intended for heat, vent, cooling, and exhaust ducts only.

Protected Fan in Joist Space (Sprinklered Buildings Only)



5/8" type X gypsum wall board fire-taped protective box must be mechanically secured with strapping at corners to strengthen the box. The number of layers of gypsum board to match the number of layers required for the rated ceiling assembly.

1-hour through penetration fire stop installed per approved manufacturer's requirements.

Metal ductwork

Plastic piping material (maximum 100 sq. in. in area) may penetrate box. Extend no more than 6" outside box, and connect to the fire stop.